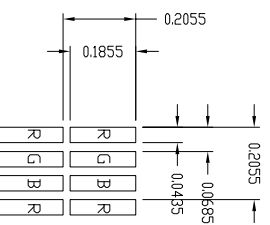
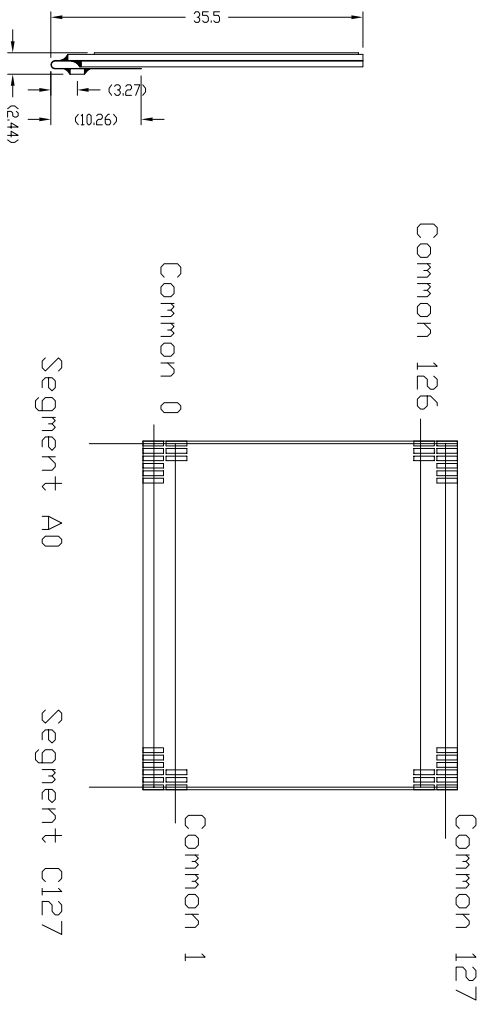
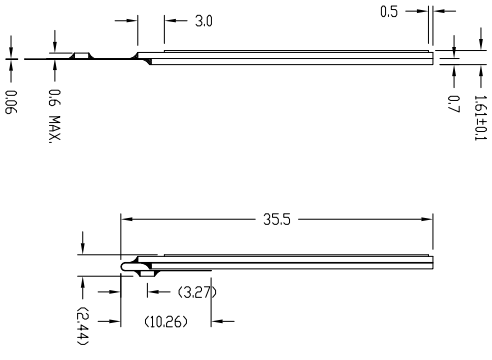
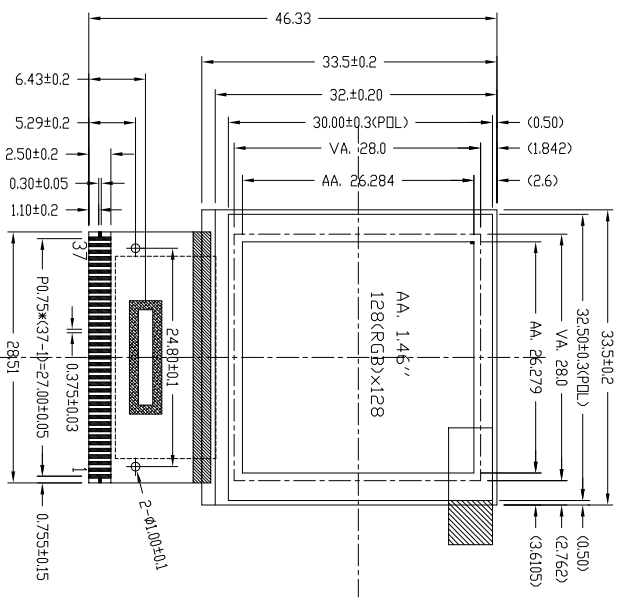


No.	PIN NAME
1	NC
2	V ₁ SS
3	VCC
4	VCI
5	VDD
6	IREF
7	RES#
8	D/C#
9	CS#
10	BS1
11	BS0
12	R/W#
13	E/RD#
14	D0
15	D1
16	D2
17	D3
18	D4
19	D5
20	D6
21	D7
22	D8
23	D9
24	D10
25	D11
26	D12
27	D13
28	D14
29	D15
30	D16
31	D17
32	V _{SL}
33	VDD10
34	VCPMH
35	VCC
36	VSS
37	NC



SCALE 40 : 1

- NOTES:
1. Display: OLED (FULL Color)
 2. DRIVE IC: SSD1351U4R1
 3. Operate Temp : -40°C~70°C
Storage Temp :-40°C~85°C
 4. Duty : 1/128
 5. General Tolerance : ±0.3mm

<p>DLC Display Co., Limited</p> <p>www.dlcoisplay.com</p>			
DRAWN BY:		TITLE: DLC0146AZ0F	
CHECKED BY:		DWG NO:	
APPROVED BY:		DWG NAME:	SCALE: UNIT: mm
CONFIRMED BY:		SHEET NO: OF	